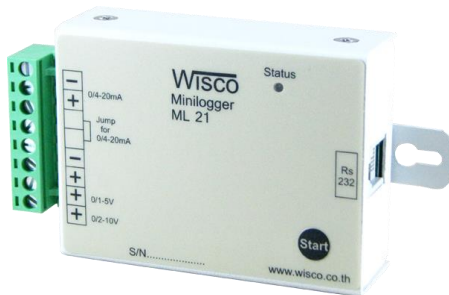


Data Logger ML21



- 1 Channel Analog Input
(4-20 mA, 0-5 VDC, 0-10 VDC)
- Memory 64 Kbyte
(Up to 256 Kbyte)
- Data exportable to MS Excel

Data Logger ML21 can record 1 analog signal (4-20mA,0-5V,105V,0-10V) These data will be recorded in the memory with time stamp.

ML 21 has software which is used to set its configuration and to transfer data from ML21 to keep in computer. These data can show in the form of tables or trend graph. Moreover, the user can use this software to change data file to CSV file which can be opened by Microsoft Excel

Specifications

Serial Interface

Serial Standard: RS-232 Connector RJ12

Distance: RS-232 Length 15 m.

Serial Parameter

Baud Rate: 19200

Data Bits: 8

Stop Bits: 1

Parity: None

Analog Input

Number of Channel: 1 Channel

Input Type: Voltage, Current (Programmable)

Input Range:

Current (0-20, 4-20 mA)

Voltage (0-5, 1-5, 0-10, 2-10 VDC)

Accuracy: ± 0.2 % of span

ADC Resolution: 10 Bits

Recording

Storage Internal: 64 Kbyte (256 Kbyte Optional)

Ordering Information: Specify Memory

Example ML21/64Kbytes

Package Checklist

1. ML21
2. RS-232 Cable

Recording Interval: 1 sec - 18 Hours
(Programmable)

Record Mode: Stop when full and Roll over

Recording by: Button SW

Data Format: Can be exported to MS Excel

Data Format: 32,767 Record that 64 Kbyte

Power Requirements

Power Supply: Battery 6 VDC (Sanyo CR123A Lithium)

Power Consumption

Standby: 30 μ A @ 6 VDC

Start Record: 500 μ A @ 6 VDC

Environmental Limits

Operating Temperature: 0 to 55 °C

Operating Humidity: 5 to 95% RH

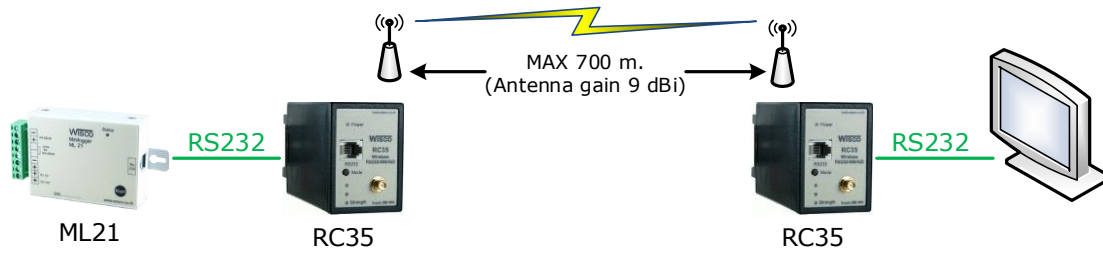
Storage Temperature: 0 to 70 °C

Physical Characteristics

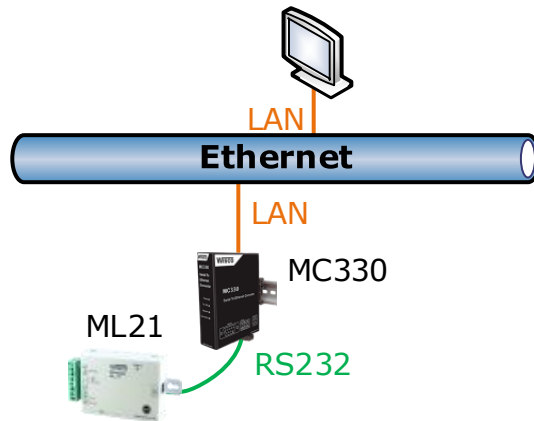
Dimension: W81 x H61 x D26 mm.

Warranty

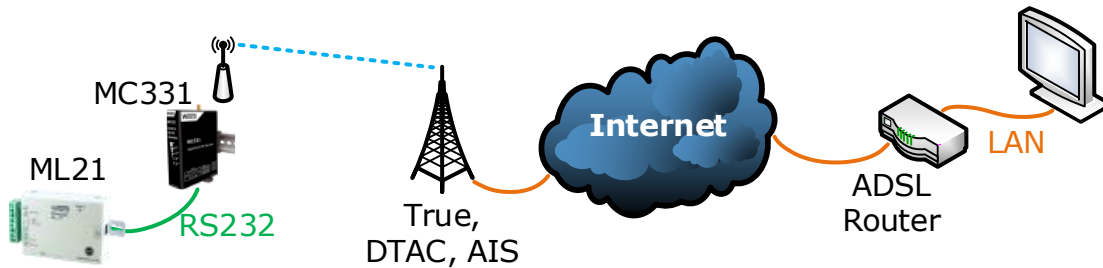
Warranty Period: 1 Year



Connection via Wireless (RC35)



Connection via Ethernet (MC330)



Connection via Internet (MC331)